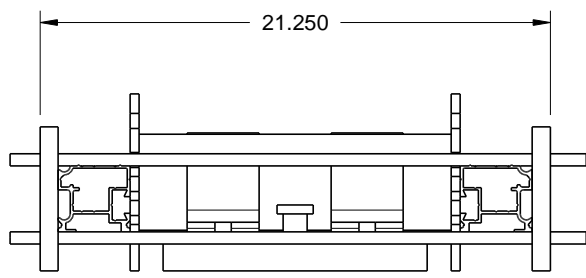
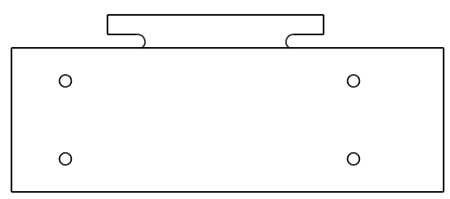
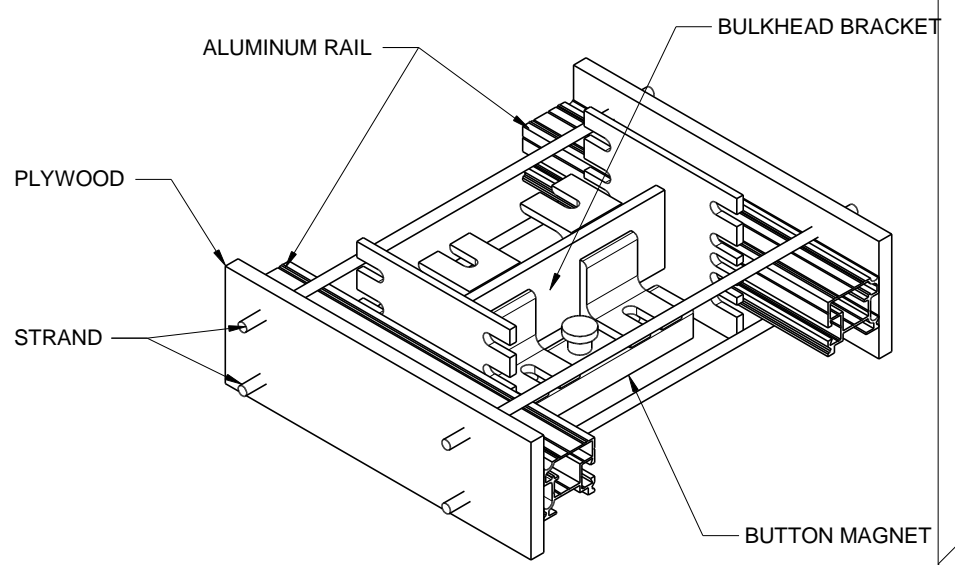
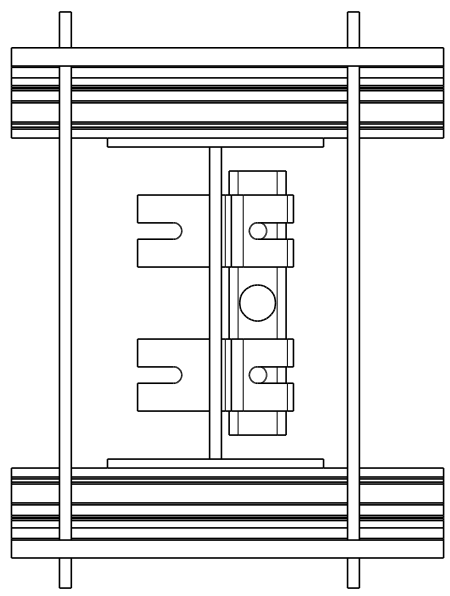




REVISIONS

ZONE	REV	DESCRIPTION	DATE	APPROVED
------	-----	-------------	------	----------



	DRAWN JLT	DATE 04-19-13				
	CHECKED					
	QA					
	MFG		SIZE <b>A</b>	FSCM NO.	DWG NO. T151-25A	REV
	APPROVED		SCALE		SHEET	

